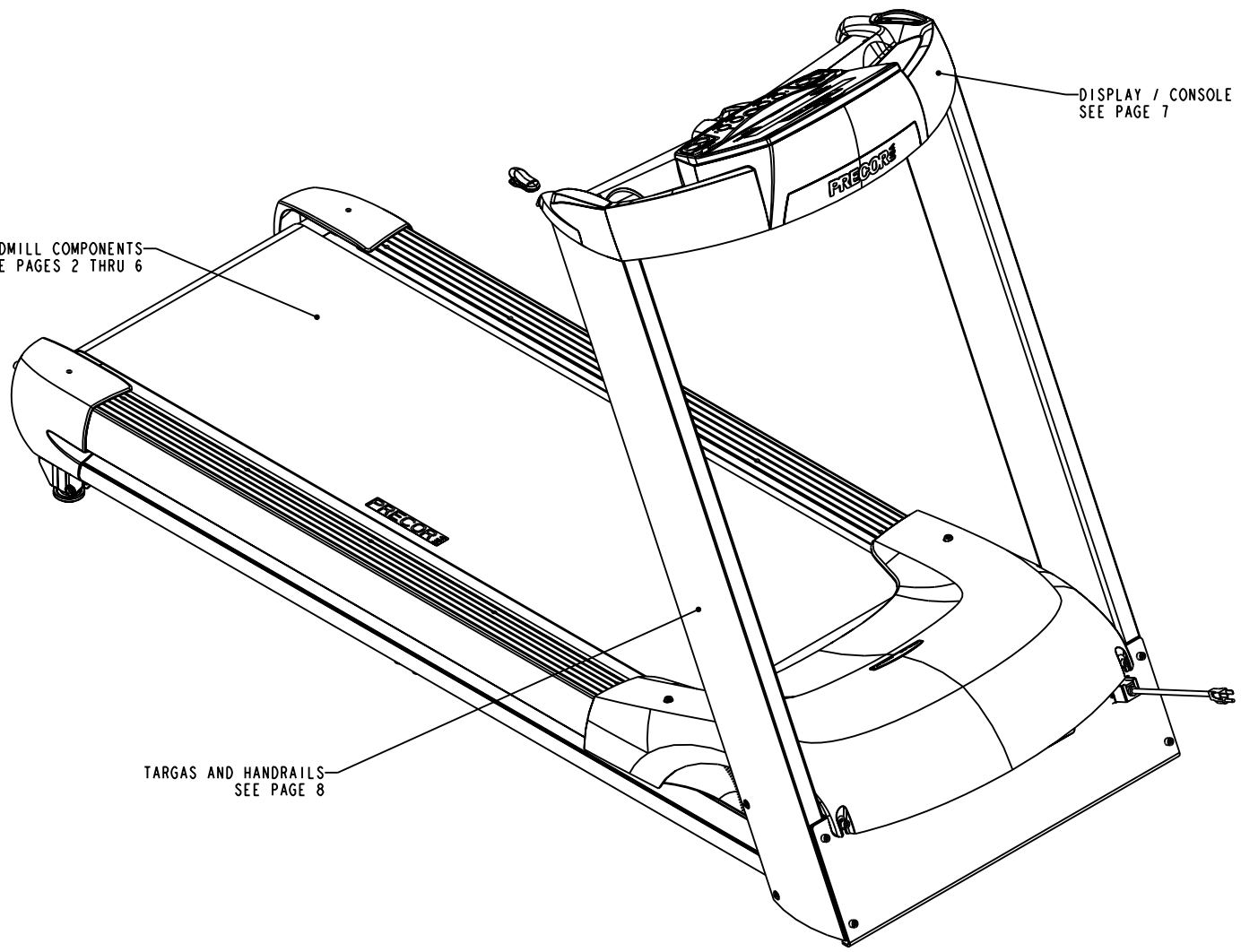


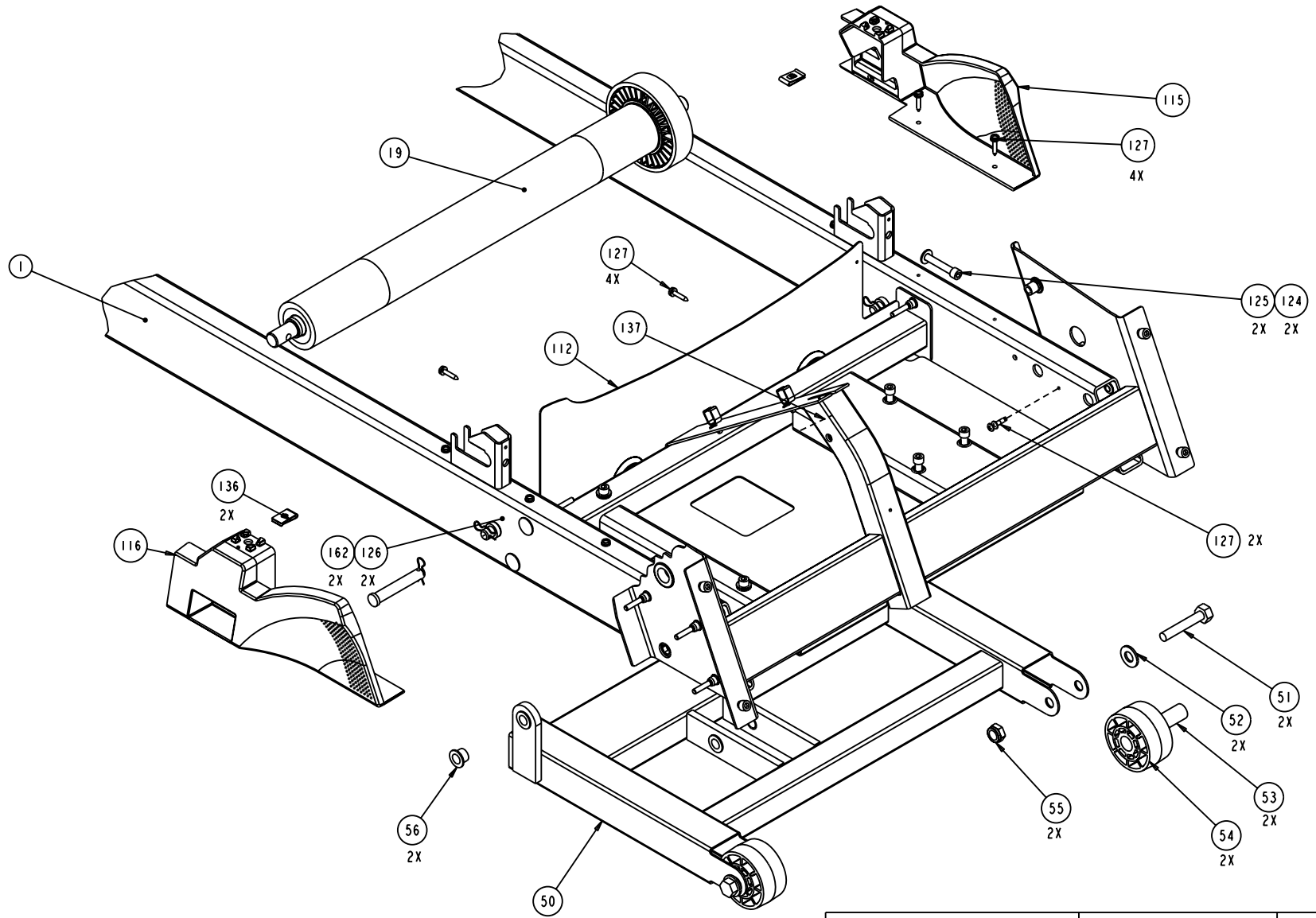
LOWER TREADMILL COMPONENTS  
SEE PAGES 2 THRU 6

DISPLAY / CONSOLE COMPONENTS  
SEE PAGE 7

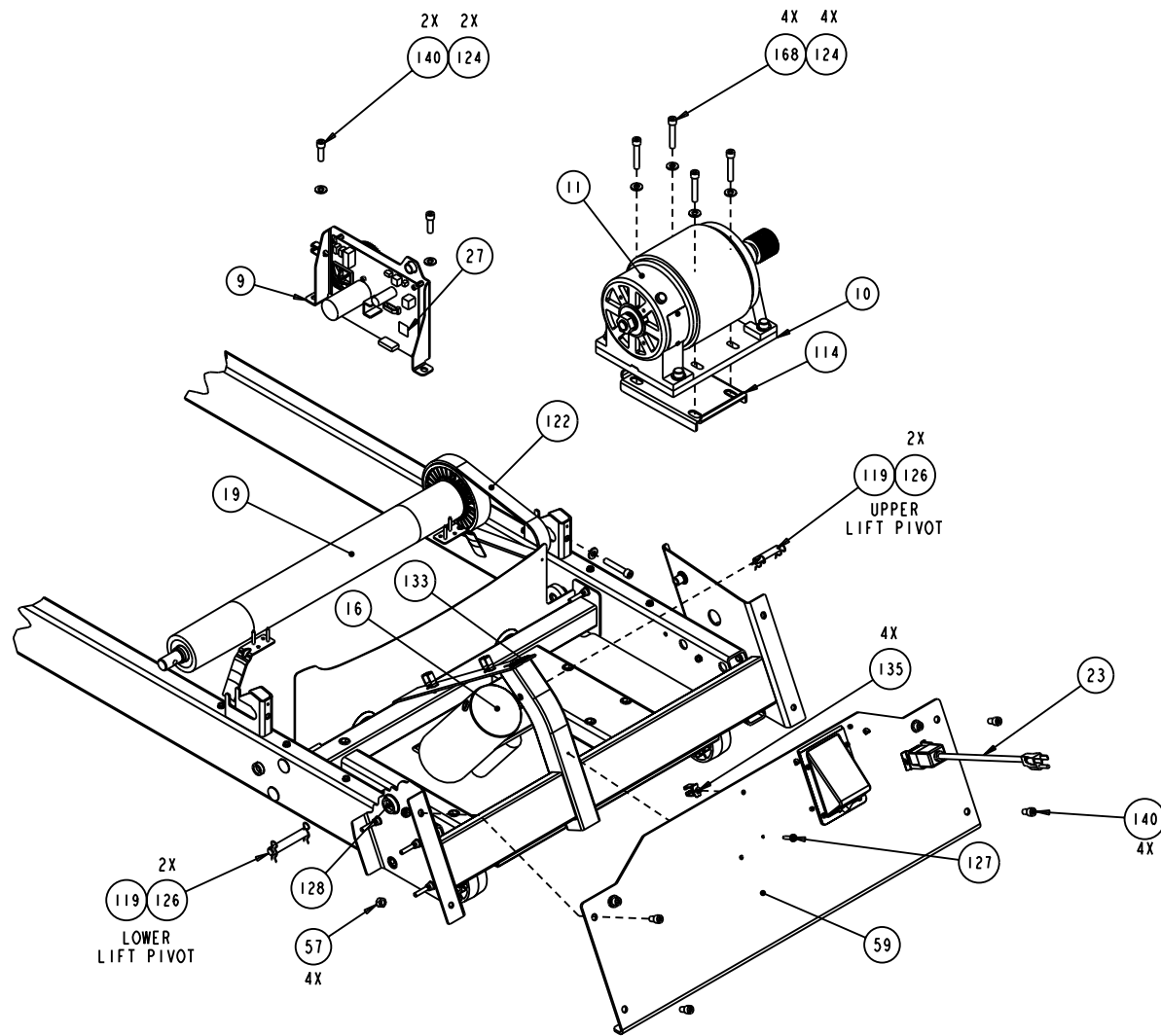
TARGAS AND HANDRAILS  
SEE PAGE 8



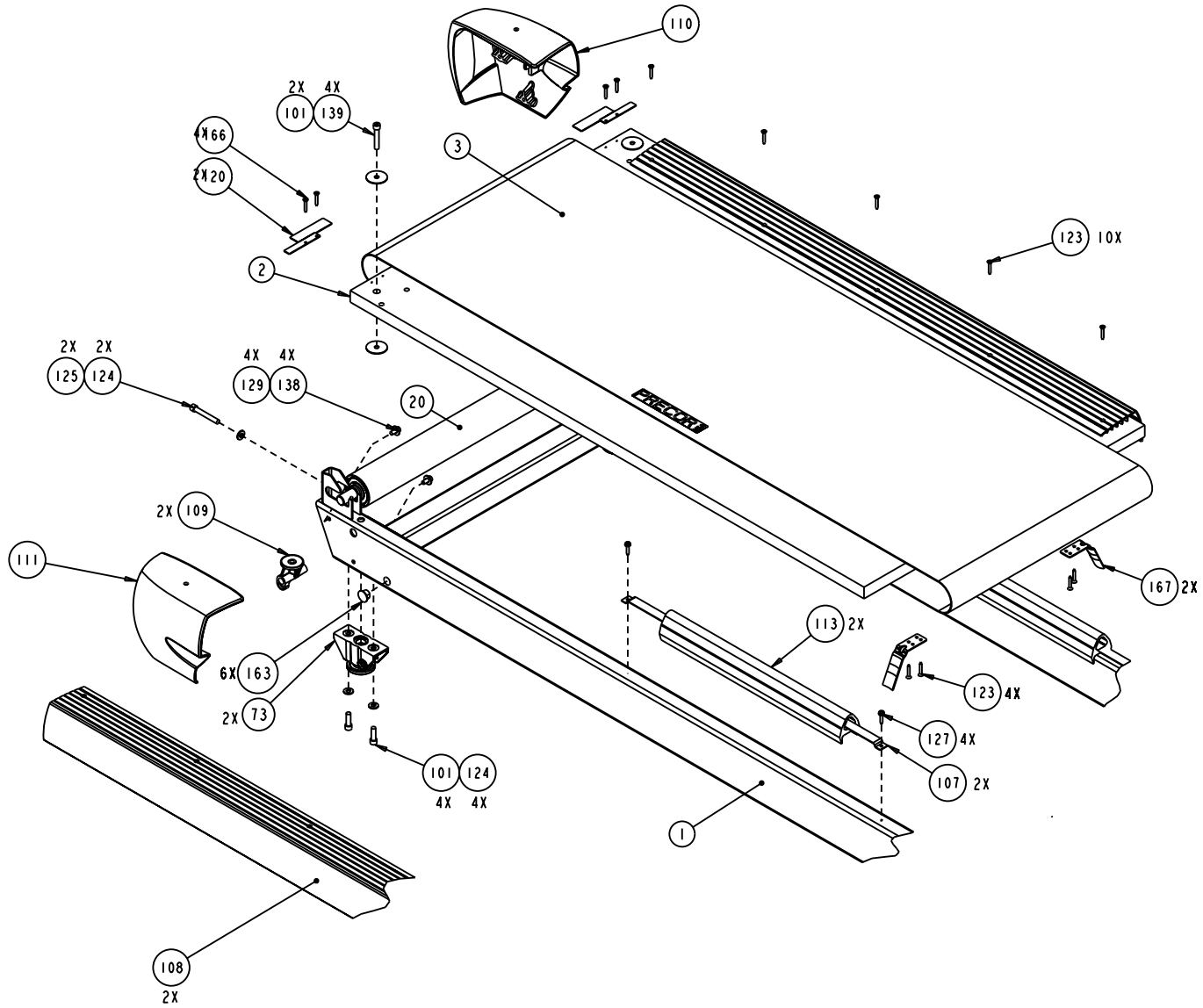
C932	P/N 45732-101	REV: T02
DRAWN BY: C THOMSON	DATE: 02.22.06	SHEET 1 OF 8



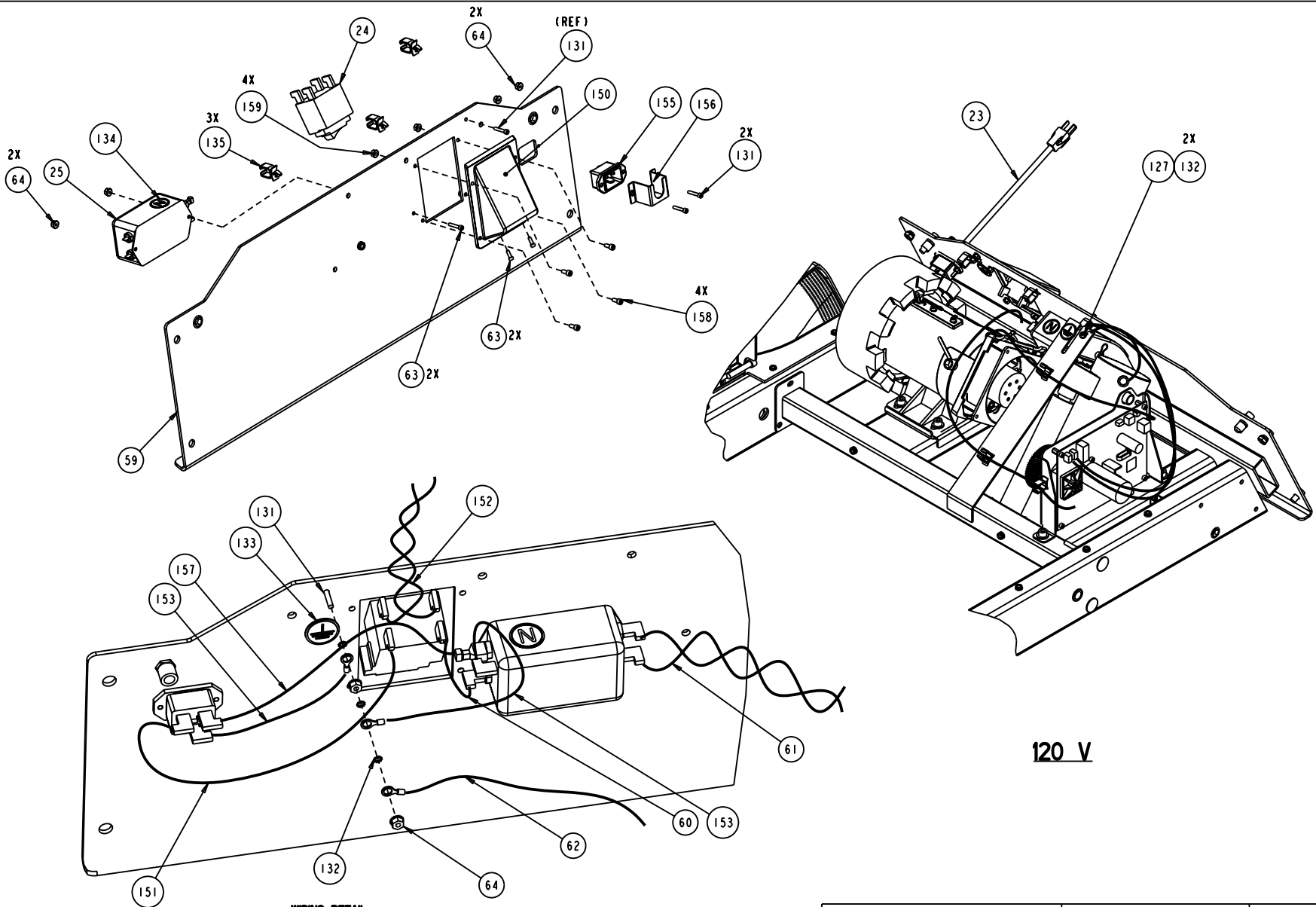
C932	P/N 45732-101	REV: T02
DRAWN BY: C THOMSON	DATE: 02.22.06	SHEET 2 OF 8



C932	P/N 45732-101	REV: T02
DRAWN BY: C THOMSON	DATE: 02.22.06	SHEET 3 OF 8



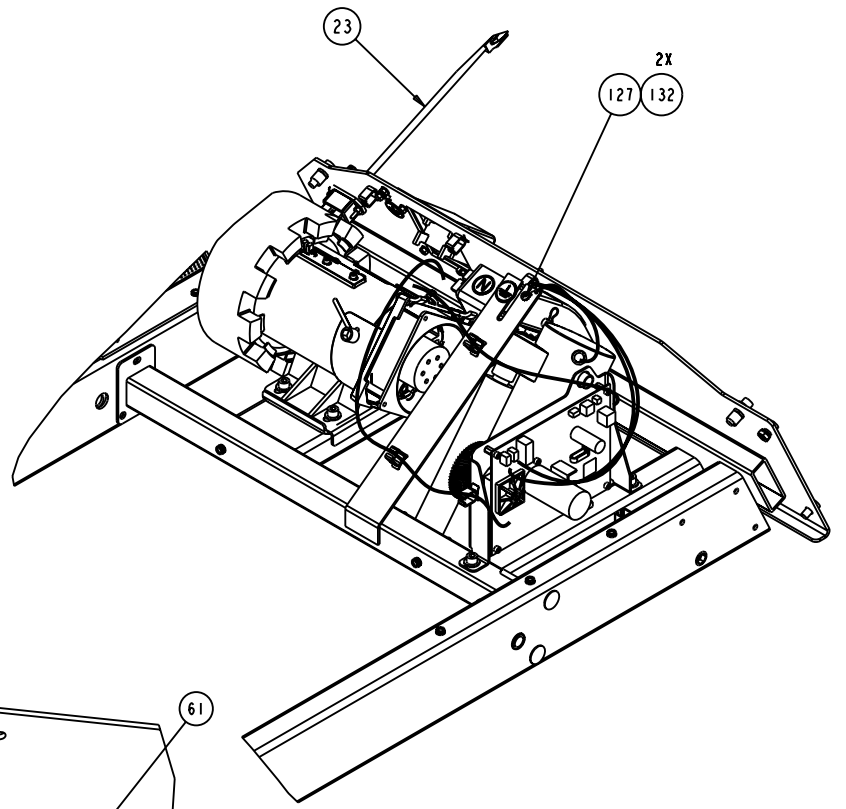
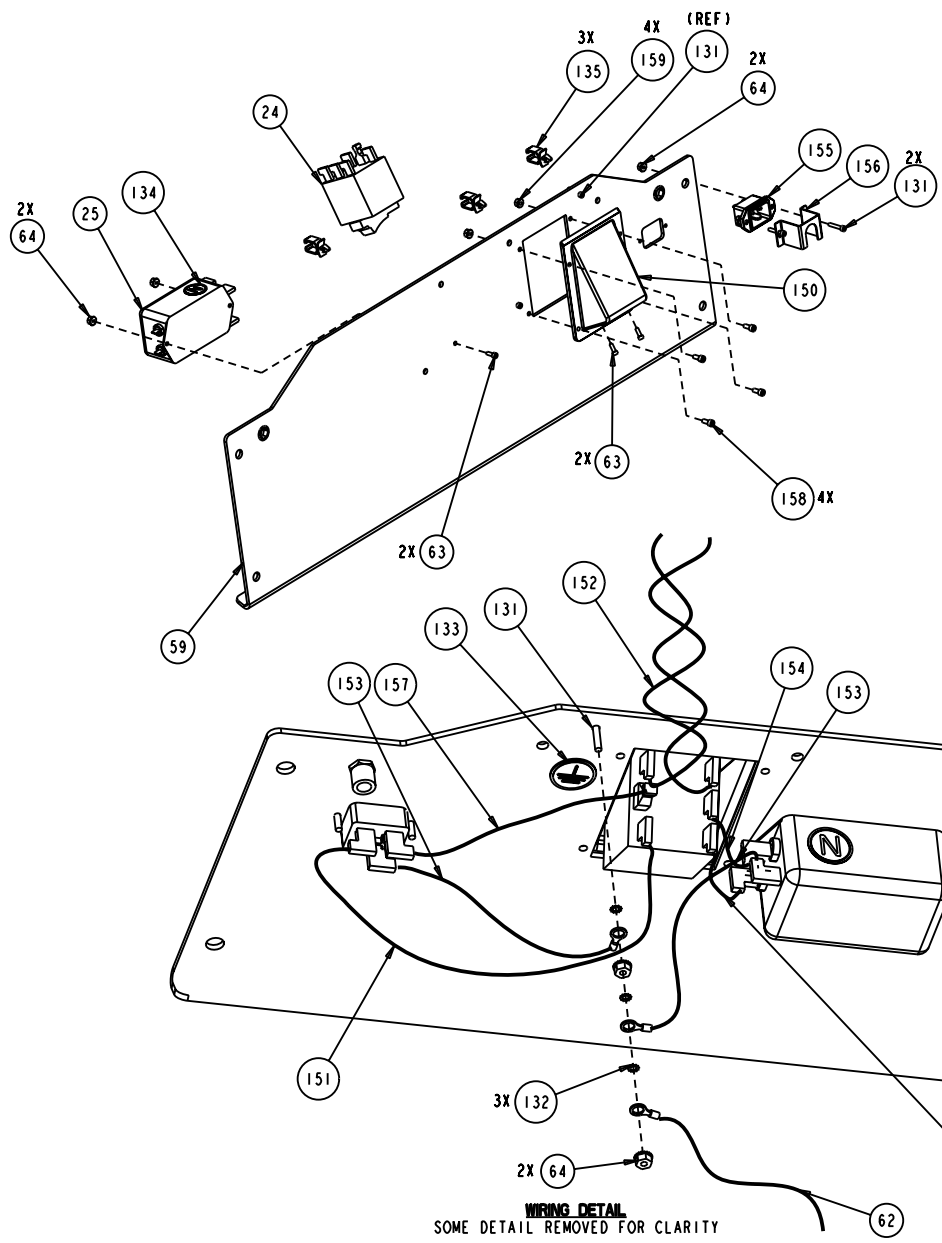
C932	P/N 45732-101	REV: T02
DRAWN BY: C THOMSON	DATE: 02.22.06	SHEET 4 OF 8



120 V

**WIRING DETAIL**  
SOME DETAIL REMOVED FOR CLARITY

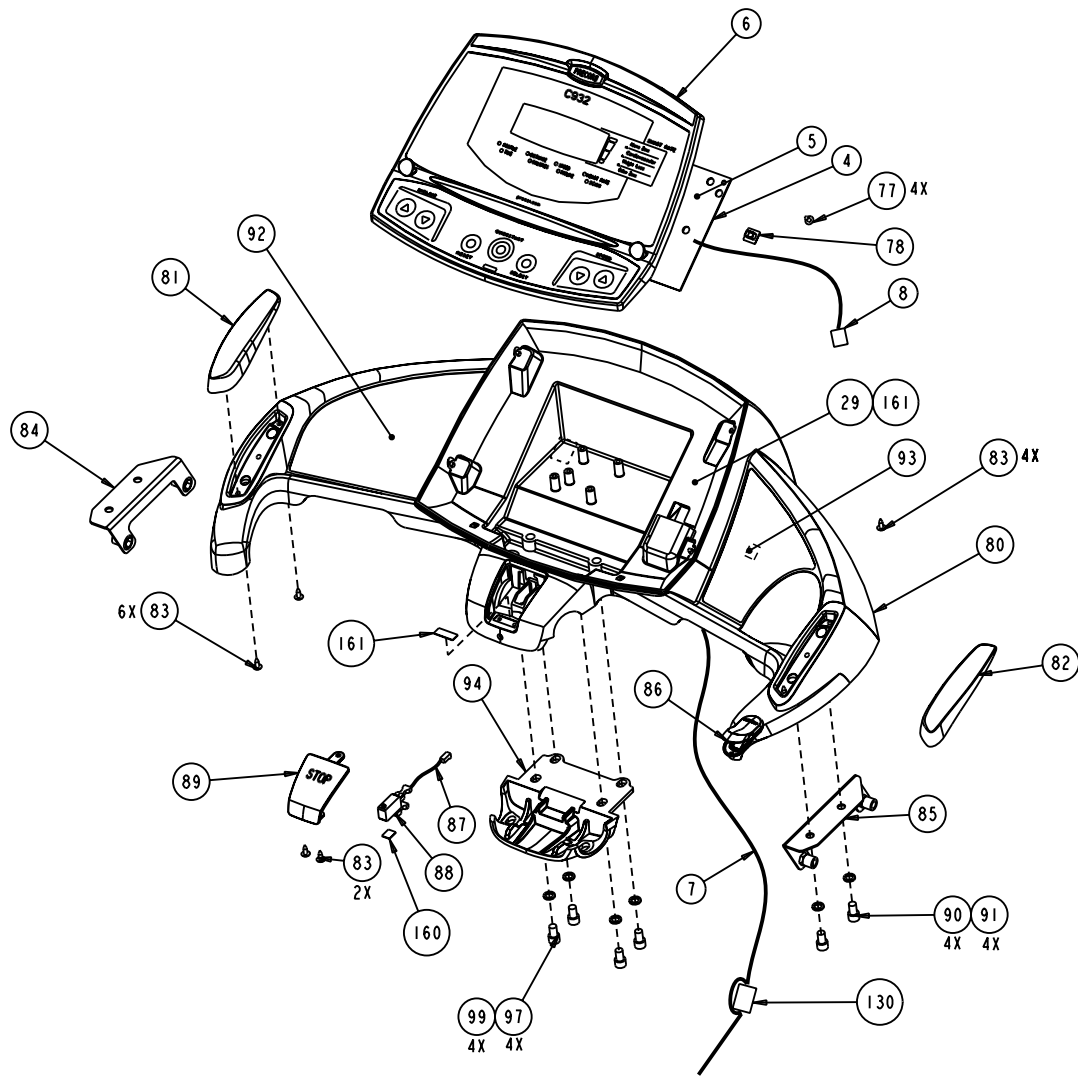
C932	P/N 45732-101	REV: T02
DRAWN BY: C THOMSON	DATE: 02.22.06	SHEET 5 OF 8



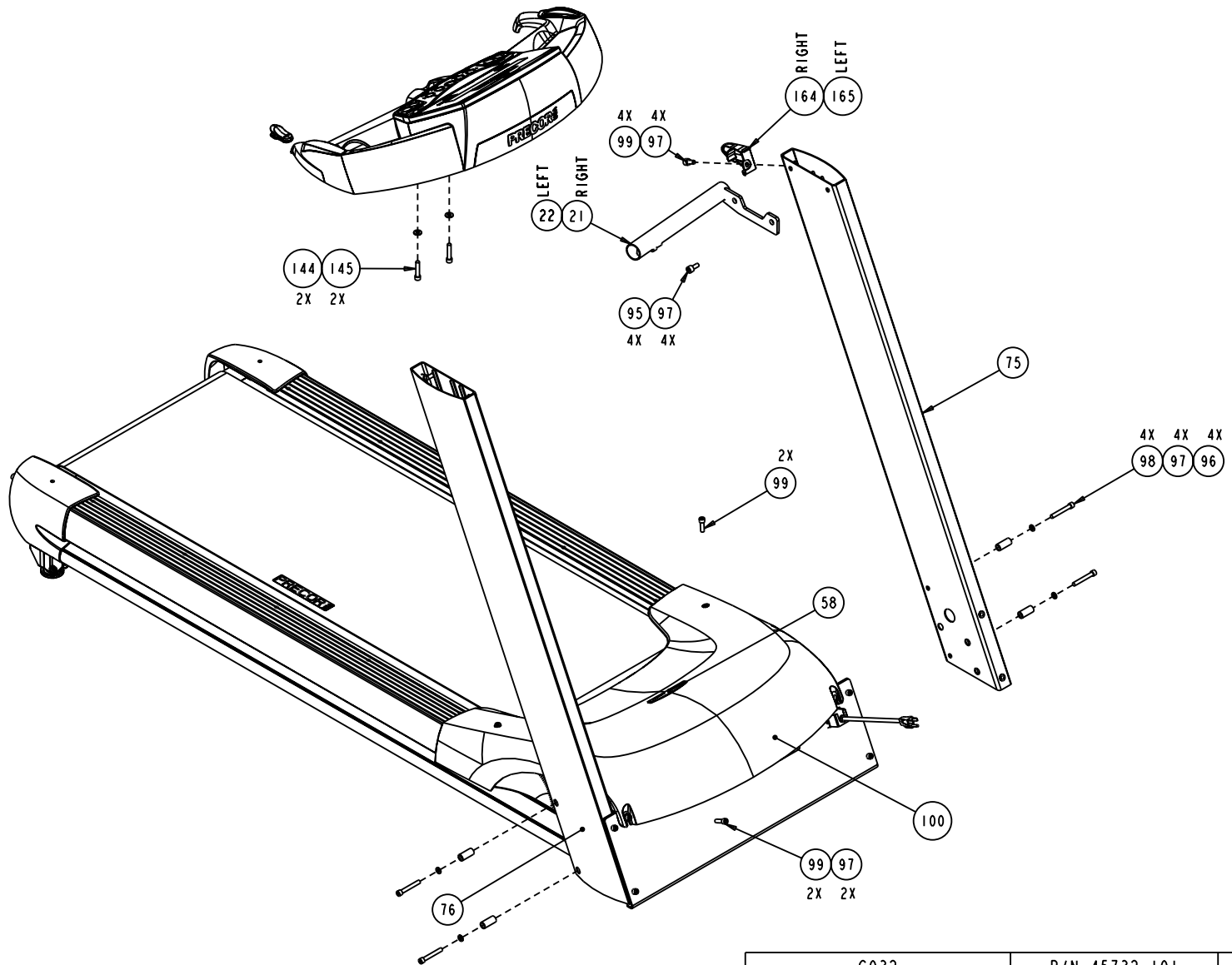
240 V

**WIRING DETAIL**  
SOME DETAIL REMOVED FOR CLARITY

C932	P/N 45732-101	REV: T02
DRAWN BY: C THOMSON	DATE: 02.22.06	SHEET 6 OF 8



C932	P/N 45732-101	REV: T02
DRAWN BY: C THOMSON	DATE: 02.22.06	SHEET 7 OF 8



C932	P/N 45732-101	REV: T02
DRAWN BY: C THOMSON	DATE: 02.22.06	SHEET 8 OF 8